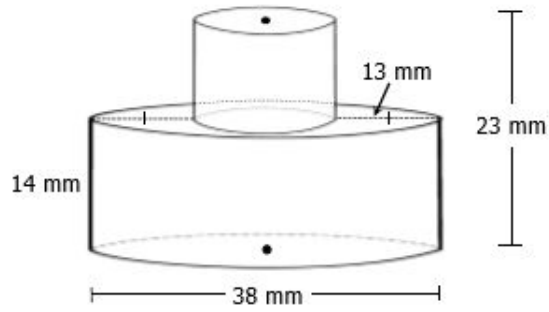


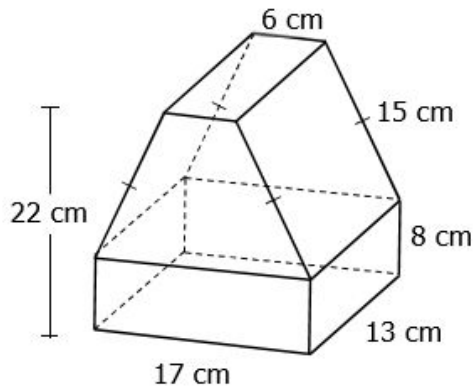
Surface Area of Composite Solids

Find the surface area of each solid:

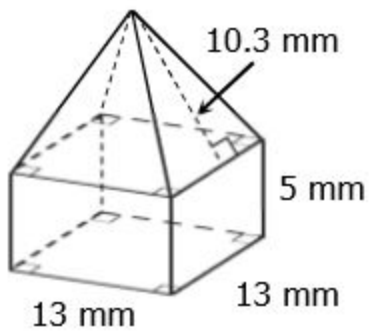
1)



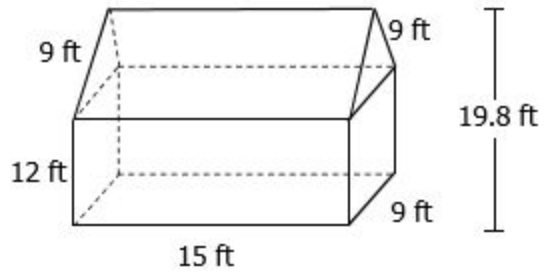
2)



3)



4)



5)

